

Copyright  
 This drawing and any design here on is the copyright of the Consultants and must not be reproduced without their written consent.  
 All drawings remain the property of the Consultants.

THIS DRAWING TO BE READ IN CONJUNCTION WITH ALL RELEVANT ARCHITECTS AND ENGINEERS DRAWINGS.

FIGURED DIMENSIONS ONLY TO BE TAKEN FROM THIS DRAWING.

ALL LEVELS ARE IN METRES AND RELATE TO DATUM AT MALIN HEAD.

THIS DRAWING IS REPRODUCED FROM DIGITAL MAPS:  
 O.S. MAPS - Scale 1:2,500  
 O.S. MAPS - Scale 1:1,000  
 DISCOVERY SERIES - Scale 1:50,000

ALL MAPS ARE REFERENCED TO IRISH NATIONAL GRID (I.T.M.)

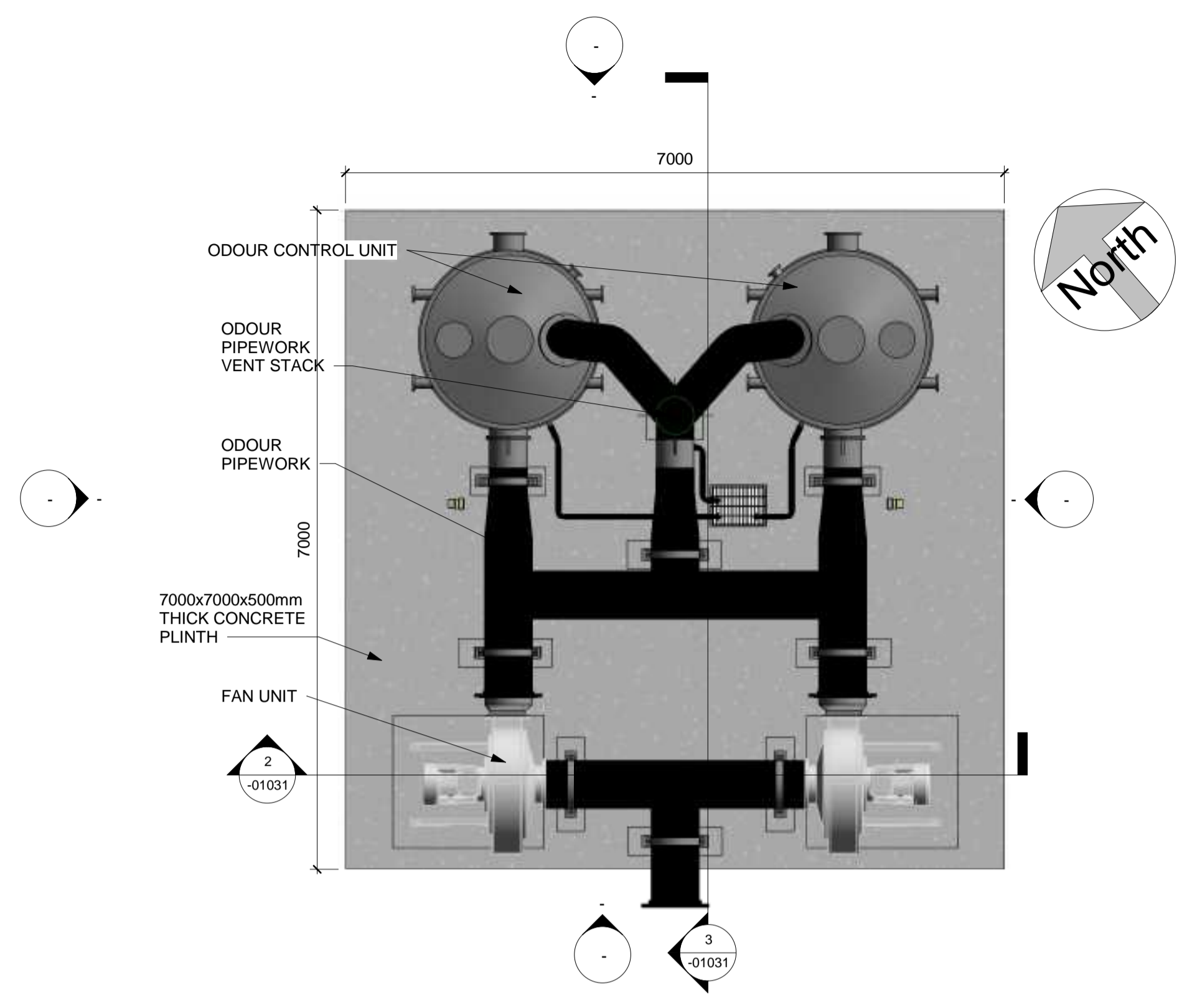
REPRODUCED FROM THE ORDNANCE SURVEY OF IRELAND BY PERMISSION OF THE GOVERNMENT. LICENSE NO. 3-3-34.

THIS DRAWING IS A COPY OF AN ELECTRONIC FILE AND IS COPYRIGHT.

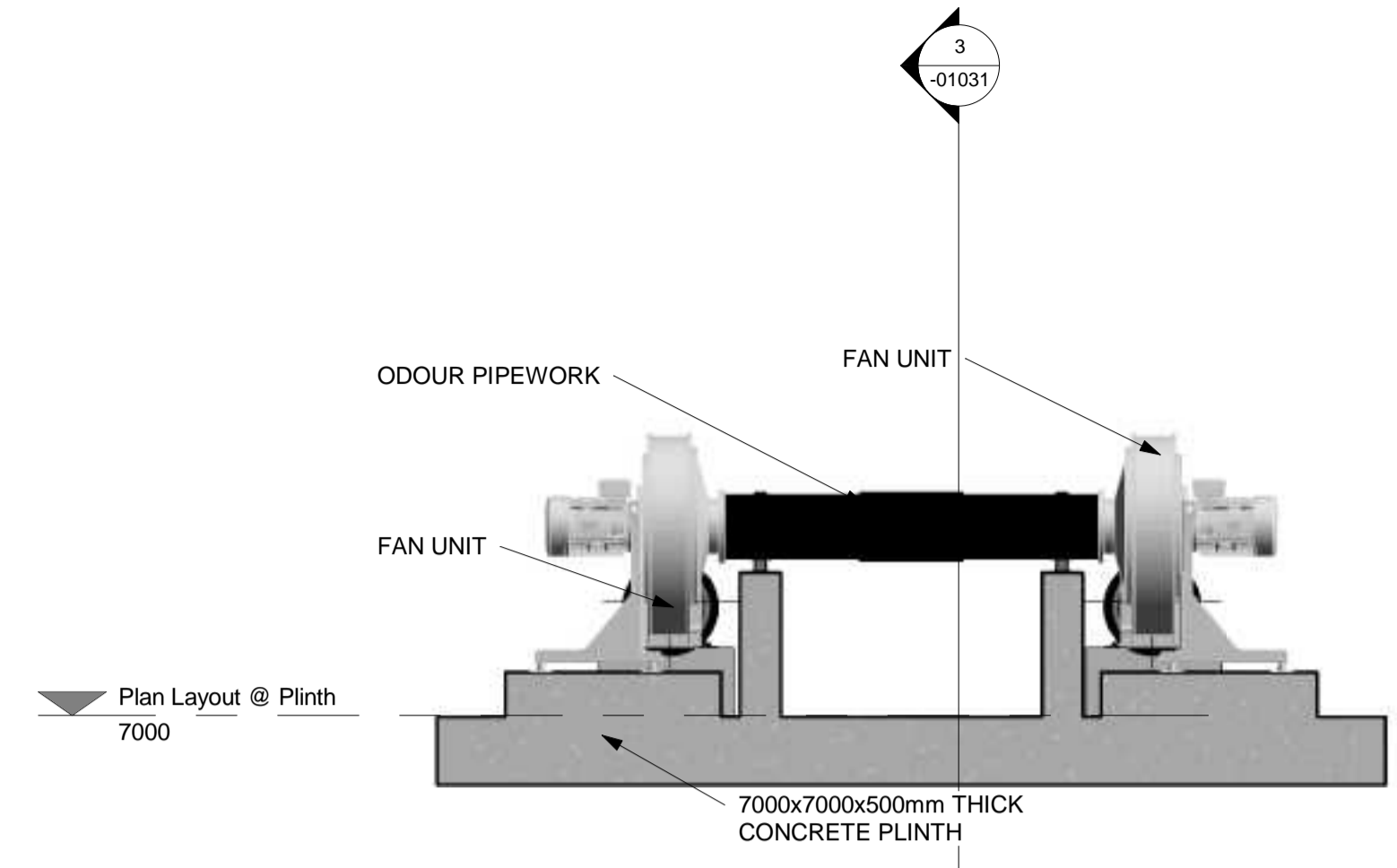
ALL DIMENSIONS TO BE CHECKED ON SITE.

ALL MATERIALS AND WORKMANSHIP TO BE IN ACCORDANCE WITH ENGINEERS SPECIFICATION.

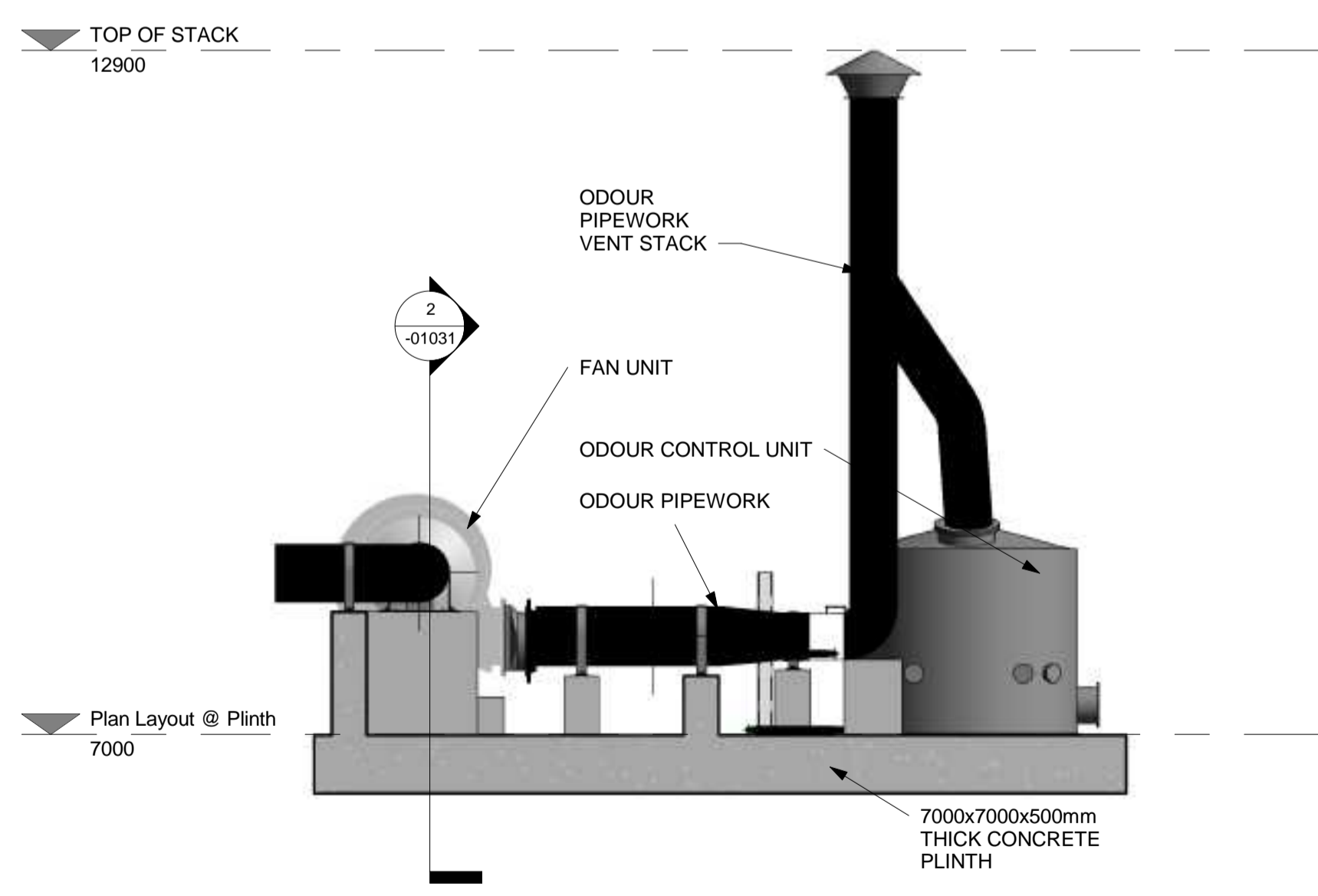
IT IS THE CONTRACTORS RESPONSIBILITY TO VERIFY ALL DIMENSIONS AND LEVELS PRIOR TO COMMENCEMENT OF CONSTRUCTION.



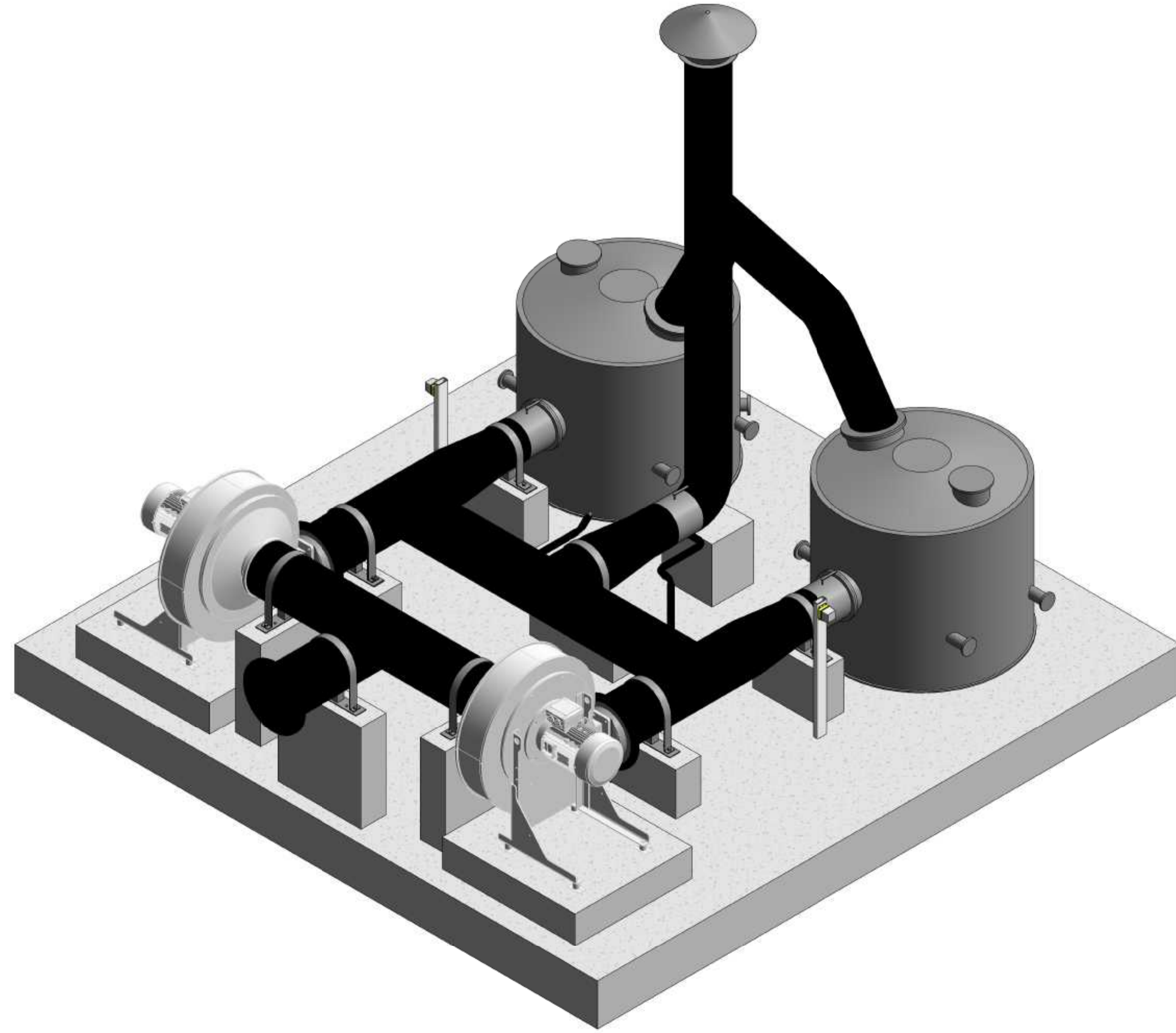
1 Plan Layout @ Plinth  
 1 : 50



2 Section 1  
 1 : 50



3 Section 2  
 1 : 50



4 3D View of OCU No-1

Rev.	Suit.	Revision Description	Checked:	Date:
C01	A1	ISSUED FOR PLANNING	PJ	28-02-23

Client:  
**UISCE**  
 EIREANN IRISH WATER  
 Colville House  
 24-26 Talbot St  
 Dublin 1  
 Tel: 1890 276 278  
 Int: +353-1-707 2828  
 email: info@uisce.ie  
 Web: www.water.ie

Project:  
**CASTLETROY WASTEWATER TREATMENT PLANT**

Clients Representative:  
**J. B. Barry and Partners Limited**  
 Consulting Engineers  
 Classon House  
 Dundrum Business Park  
 Dundrum Road  
 Dublin 14  
 Tel: +353 1 485 1400  
 email: info@jbbarry.ie  
 web: www.jbbarry.ie

Drawn By:	LHA	Date:	06/12/22
Checked By:	PH	Date:	06/12/22
Approved by:	PJ	Date:	06/12/22
Internal Project No.	20701-JBB-00-XX-DR-Z	Stage	PLANNING

Drawing Title:  
**PROPOSED ODOUR CONTROL UNIT No-1 PLAN AND SECTIONS**

Scales: 1 : 50

Drawing No.	Sheet No.	Revision:	Suitability:
20701-JBB-00-XX-DR-Z	-01031	C01	

O:20 Projects20701 - Castletroy WwTP (Case 2-4100) WWP Planning Drawings - FEB-2023/20701-JBB-00-XX-DR-Z-01031-Proposed Odour Control Unit No-1.rvt